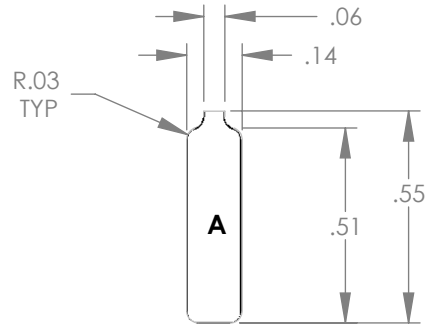
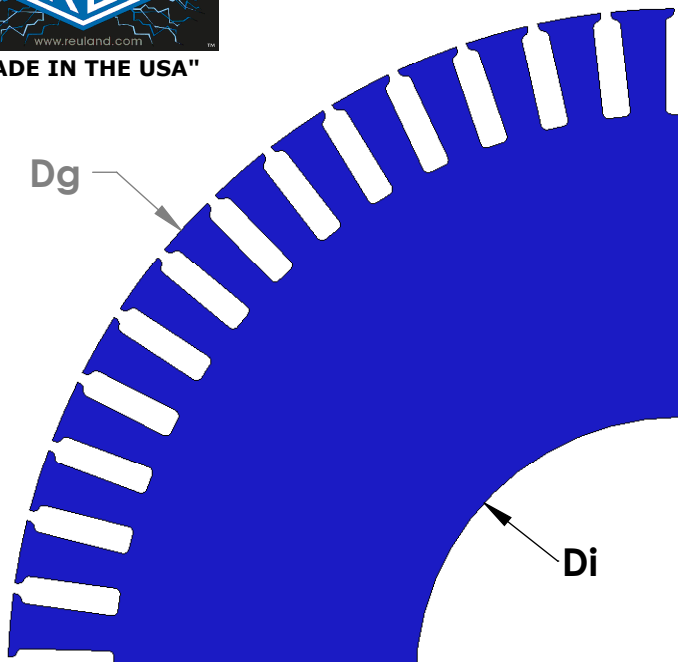
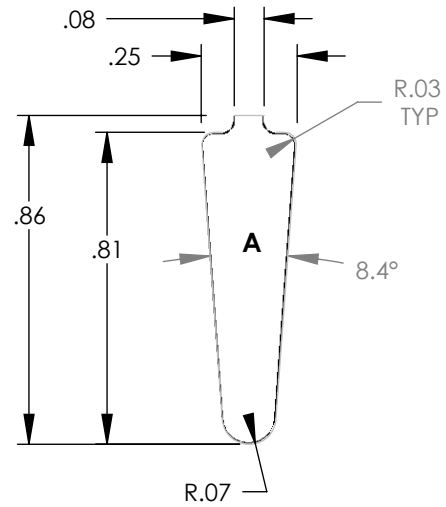
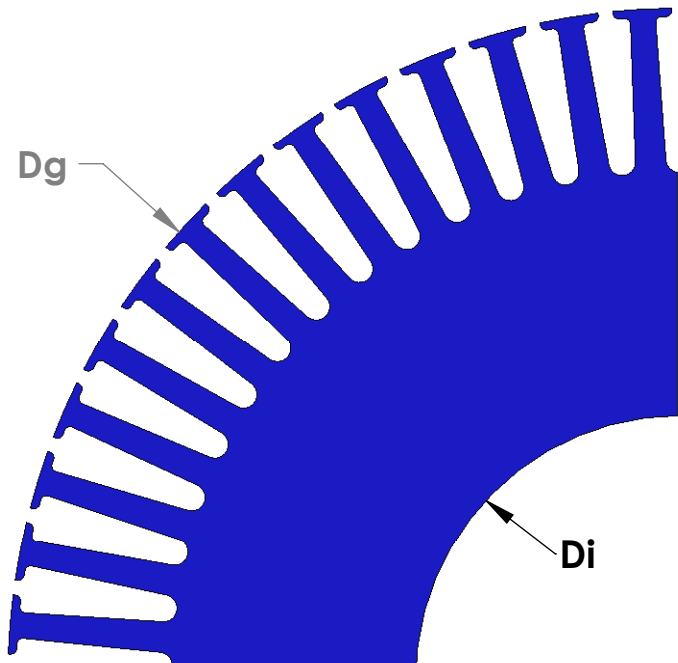




"MADE IN THE USA"



ROTOR	SLOT L	CHARACTERISTICS			
		D_g	D_i	N	A
42E29-E	7.00	7.00	2.25	57	0.075
42E29-S	7.00	7.00	4.25	57	0.075



ROTOR	SLOT O	CHARACTERISTICS			
		D_g	D_i	N	A
42E45-E	7.00	7.00	2.25	57	0.156

NOTE: CORES ARE WELDED NOT TO SCALE

MATERIAL: SILICON STEEL
DIMENSIONS: INCHES

REULAND ELECTRIC CO.
INDUSTRY, CA HOWELL, MI CINCINNATI, OH

www.reuland.com

Copyright © 2009 Reuland Electric Co. 2009. All Rights Reserved.