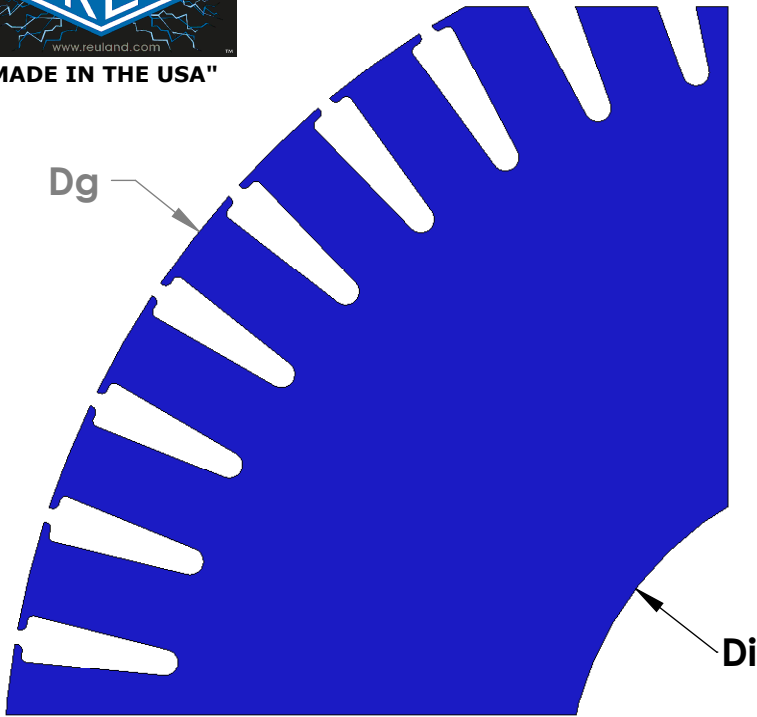
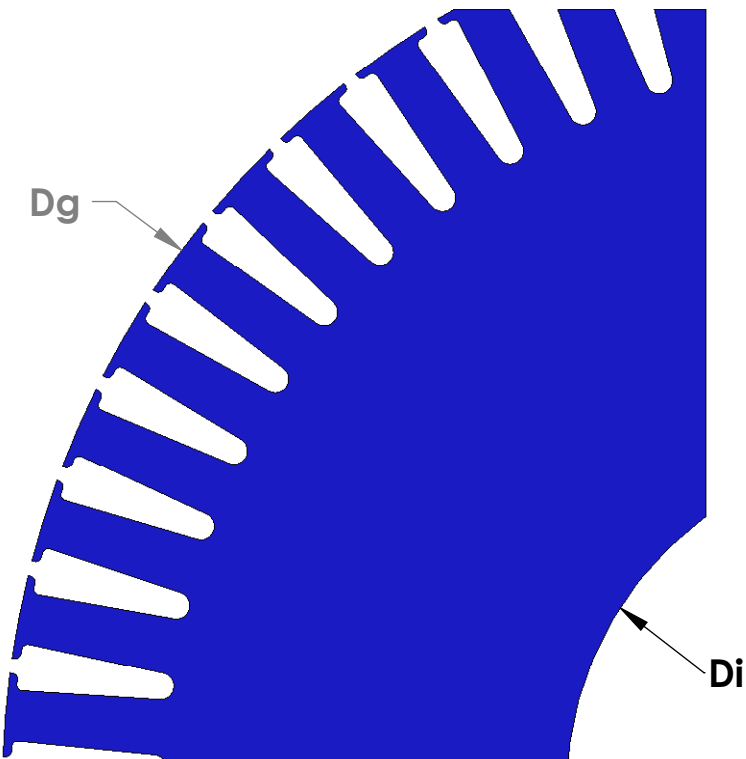
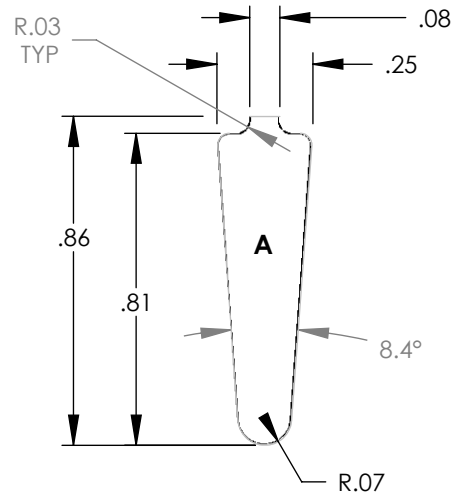




"MADE IN THE USA"



ROTOR	SLOT O	CHARACTERISTICS			
		Dg	D <sub>i</sub>	N	A
42767-G		9.38	3.00	45	0.156



ROTOR	SLOT O	CHARACTERISTICS			
		Dg	D <sub>i</sub>	N	A
42745-F		9.38	2.75	57	0.156
42745-G		9.38	3.00	57	0.156

NOTE: CORES ARE WELDED  
NOT TO SCALE

MATERIAL: SILICON STEEL  
DIMENSIONS: INCHES

**REULAND ELECTRIC CO.**  
INDUSTRY, CA HOWELL, MI CINCINNATI, OH

[www.reuland.com](http://www.reuland.com)

Copyright © 2009 Reuland Electric Co. 2009. All Rights Reserved.