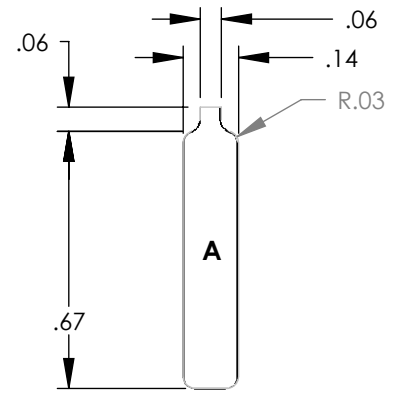
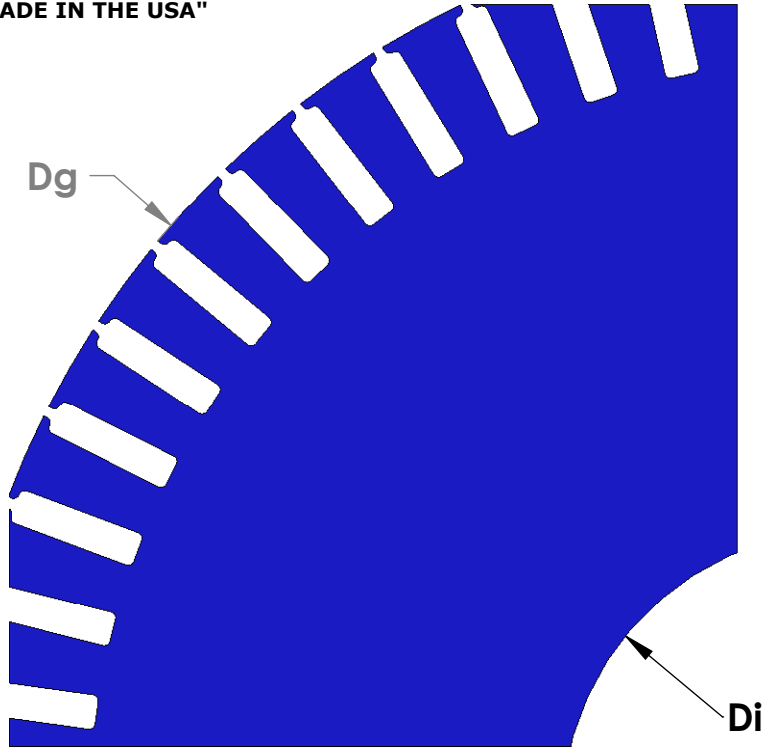
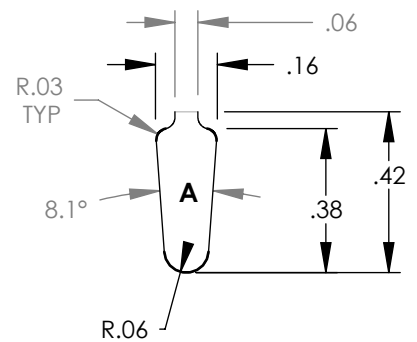
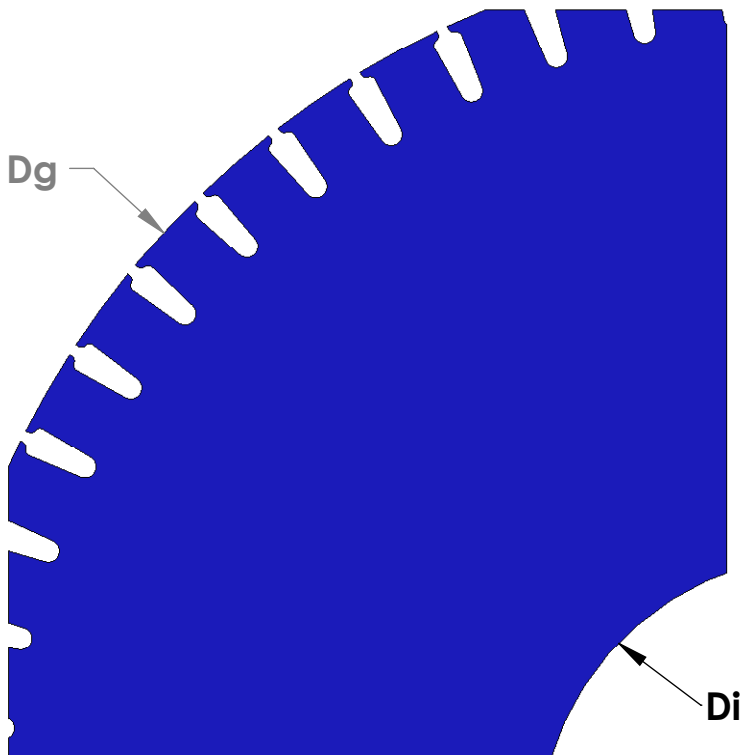




"MADE IN THE USA"



ROTOR	SLOT D	CHARACTERISTICS			
		D _g	D _i	N	A
42726-F		9.38	2.75	57	0.125
42726-G		9.38	3.00	57	0.125



ROTOR	SLOT G	CHARACTERISTICS			
		D _g	D _i	N	A
42727-F		9.38	2.75	57	0.125
42727-G		9.38	3.00	57	0.125
42727-K		9.38	6.00	57	0.125

NOTE: CORES ARE WELDED
NOT TO SCALE

MATERIAL: SILICON STEEL
DIMENSIONS: INCHES

REULAND ELECTRIC CO.
INDUSTRY, CA HOWELL, MI CINCINNATI, OH