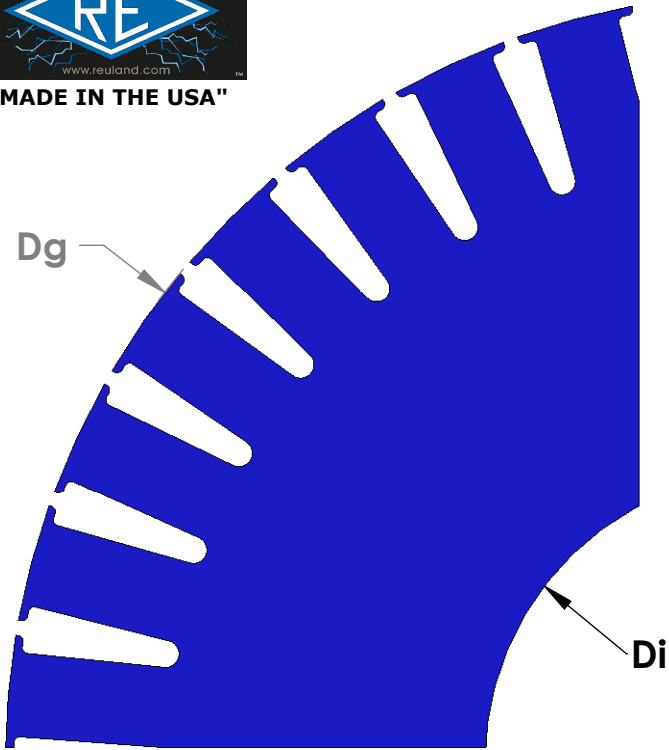
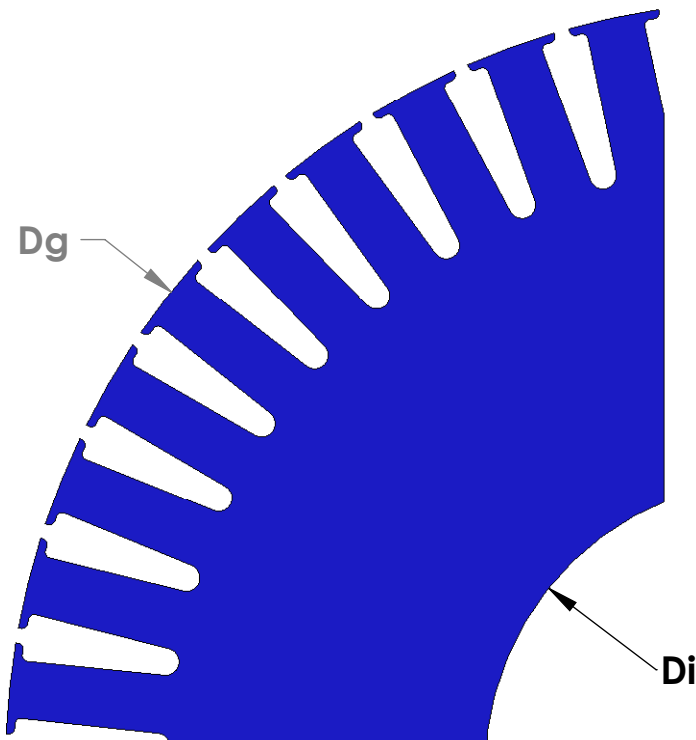




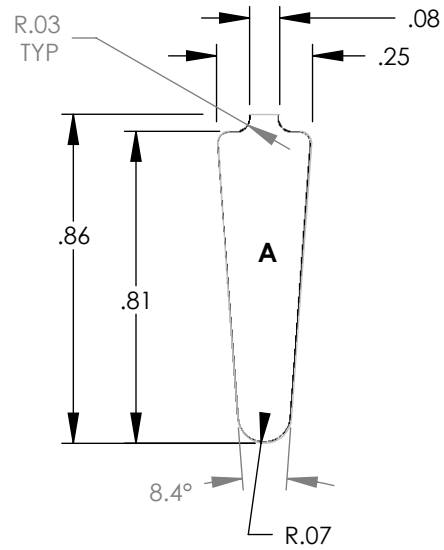
"MADE IN THE USA"



ROTOR	SLOT O	CHARACTERISTICS			
		Dg	Di	N	A
42616-E		8.00	2.25	36	0.156
42616-F		8.00	2.75	36	0.156



ROTOR	SLOT O	CHARACTERISTICS			
		Dg	Di	N	A
42645-F		8.00	2.75	57	0.156



NOTE: CORES ARE WELDED  
NOT TO SCALE

MATERIAL: SILICON STEEL  
DIMENSIONS: INCHES

**REULAND ELECTRIC CO.**  
INDUSTRY, CA HOWELL, MI CINCINNATI, OH