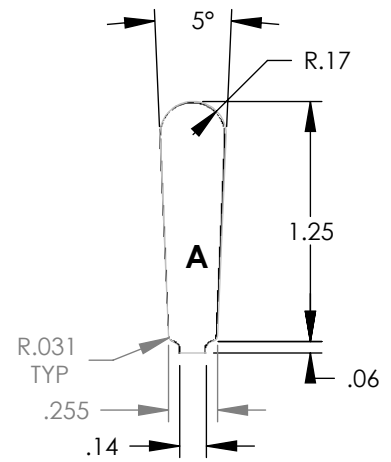
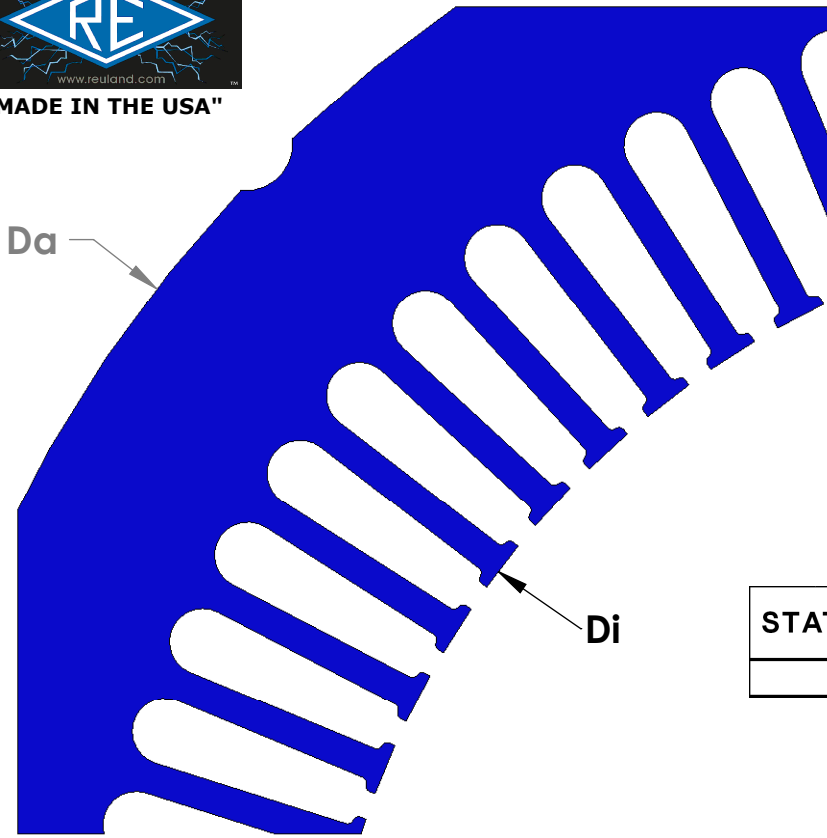
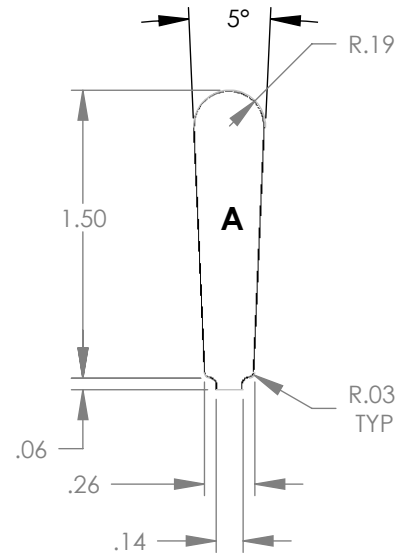
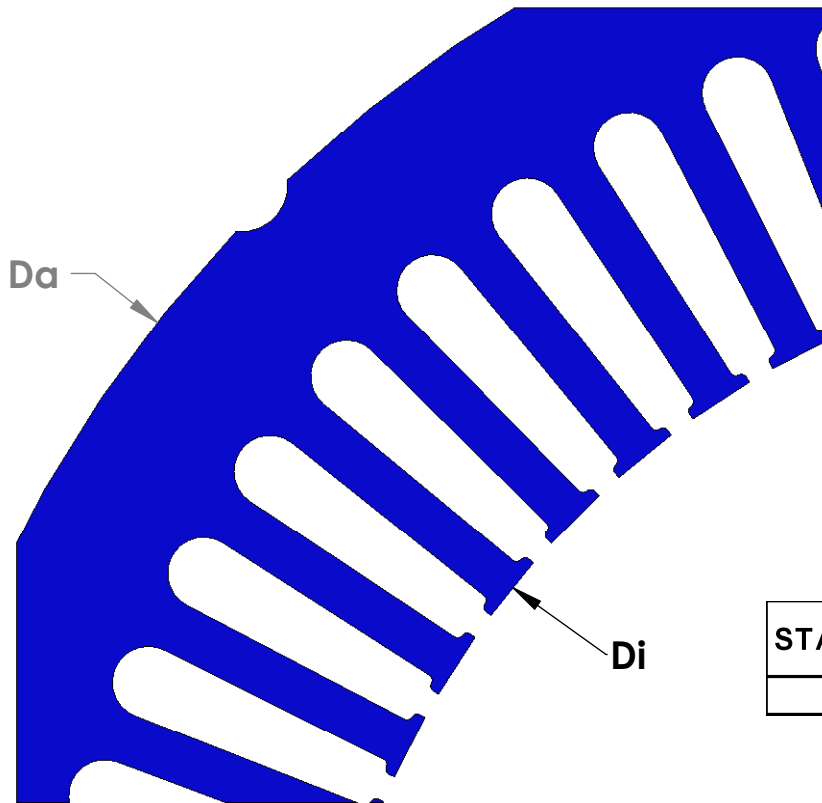




"MADE IN THE USA"



STATOR	SLOT M	CHARACTERISTICS			
		D _a	D _i	N	A
41661		14.00	9.38	72	0.368



STATOR	SLOT N	CHARACTERISTICS			
		D _a	D _i	N	A
4166N		14.00	9.38	60	0.470

NOTE: CORES ARE WELDED
NOT TO SCALE

MATERIAL: SILICON STEEL
DIMENSIONS: INCHES

REULAND ELECTRIC CO.
INDUSTRY, CA HOWELL, MI CINCINNATI, OH