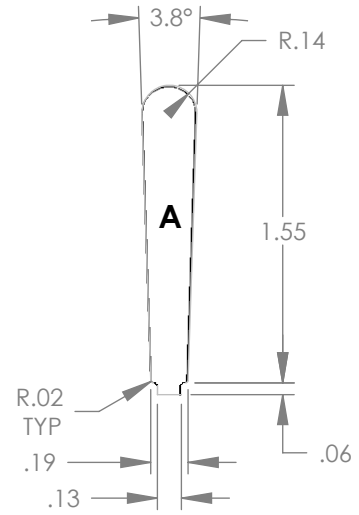
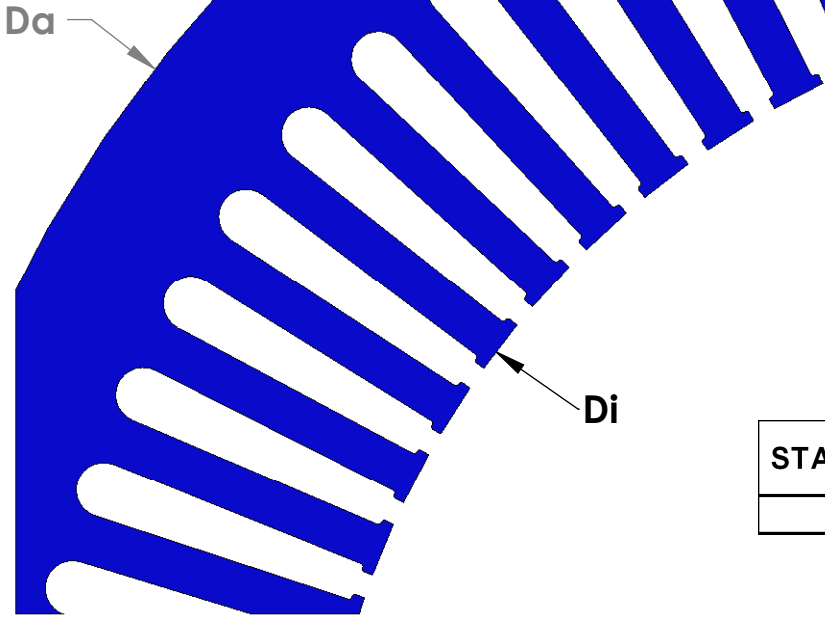
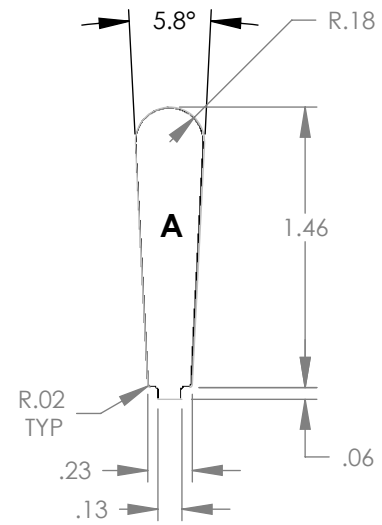
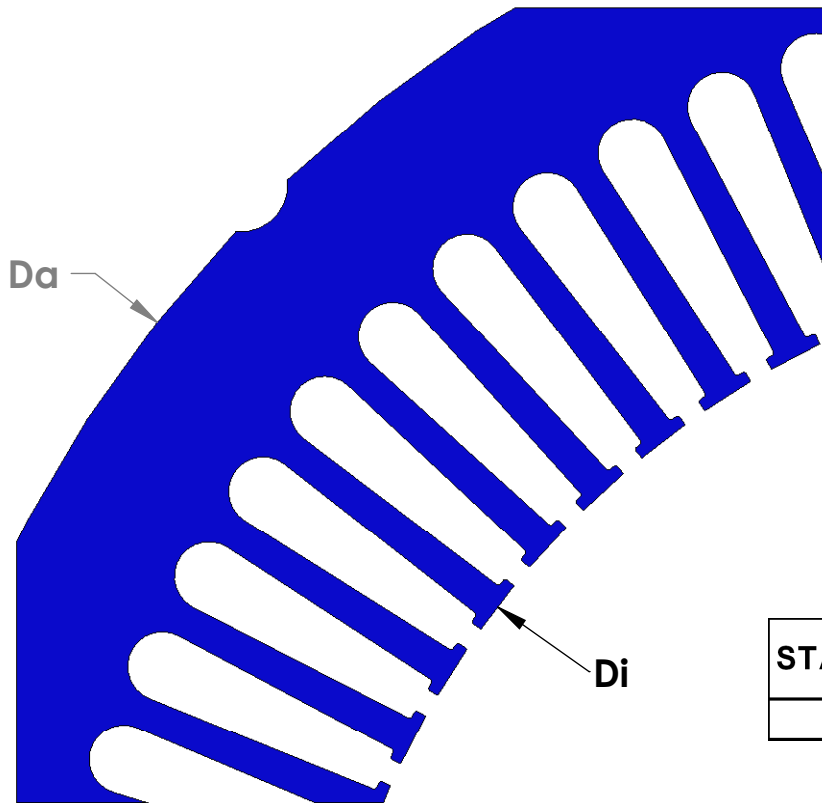




"MADE IN THE USA"



STATOR	SLOT Q	CHARACTERISTICS			
		D _a	D _i	N	A
4166A		14.00	9.38	72	0.369



STATOR	SLOT W	CHARACTERISTICS			
		D _a	D _i	N	A
4166K		14.00	9.38	72	0.428

NOTE: CORES ARE WELDED
NOT TO SCALE

MATERIAL: SILICON STEEL
DIMENSIONS: INCHES

REULAND ELECTRIC CO.
INDUSTRY, CA HOWELL, MI CINCINNATI, OH

www.reuland.com

Copyright © 2010 Reuland Electric Co. All Rights Reserved.