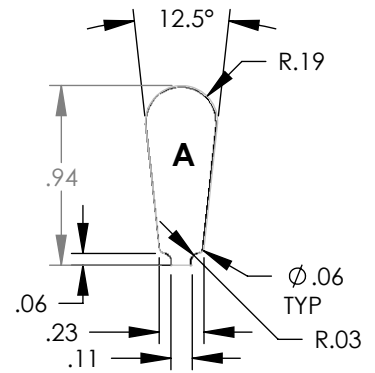
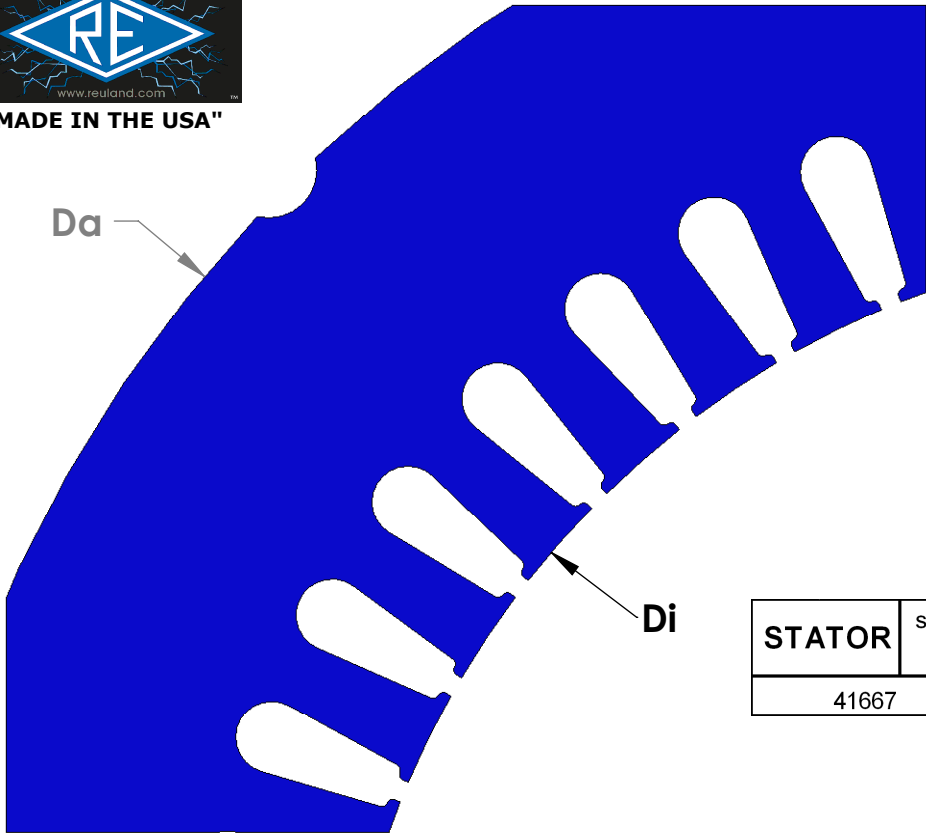
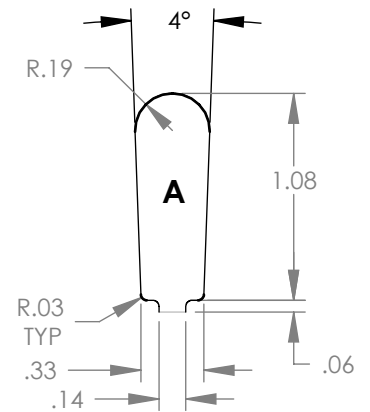
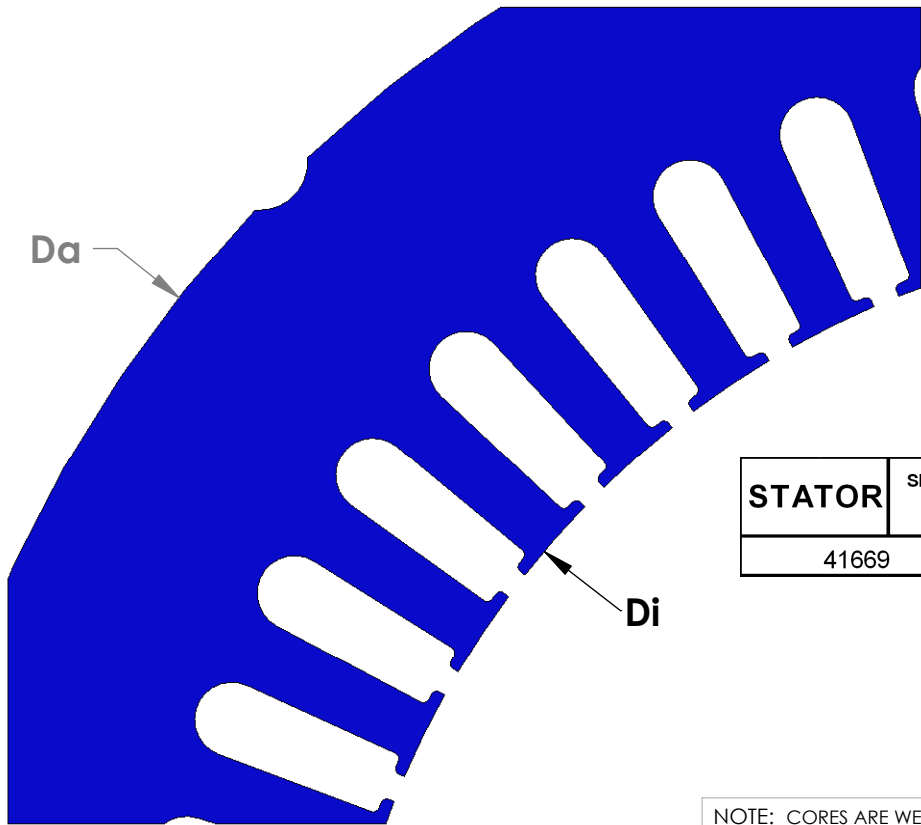




"MADE IN THE USA"



STATOR	SLOT A	CHARACTERISTICS			
		D <sub>a</sub>	D <sub>i</sub>	N	A
41667		14.00	9.38	48	0.262



STATOR	SLOT C	CHARACTERISTICS			
		D <sub>a</sub>	D <sub>i</sub>	N	A
41669		14.00	9.38	48	0.374

[www.reuland.com](http://www.reuland.com)

Copyright © 2010 Reuland Electric Co. All Rights Reserved.

NOTE: CORES ARE WELDED  
NOT TO SCALE

MATERIAL: SILICON STEEL  
DIMENSIONS: INCHES

**REULAND ELECTRIC CO.**  
INDUSTRY, CA HOWELL, MI CINCINNATI, OH