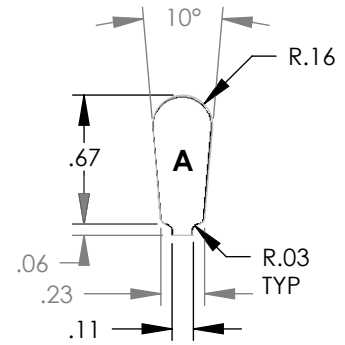
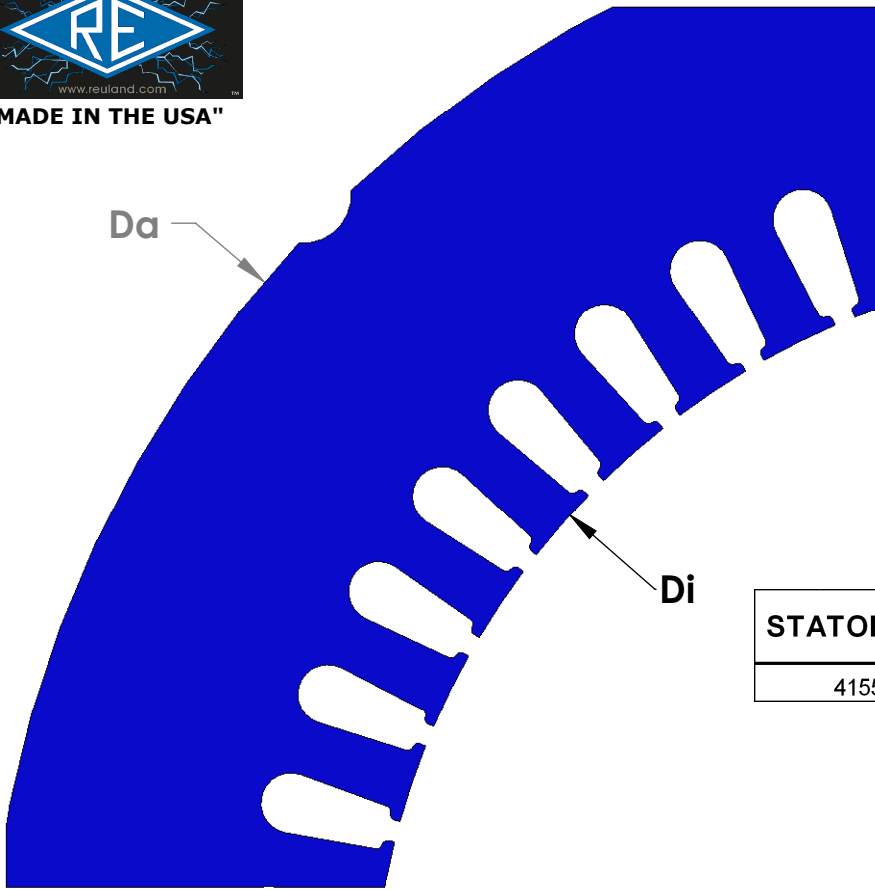
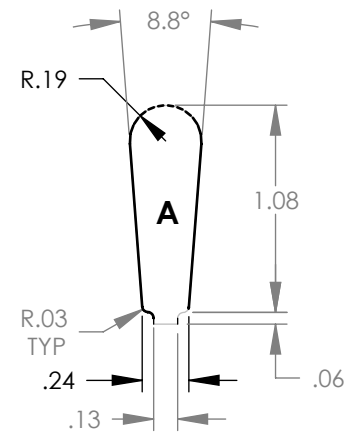
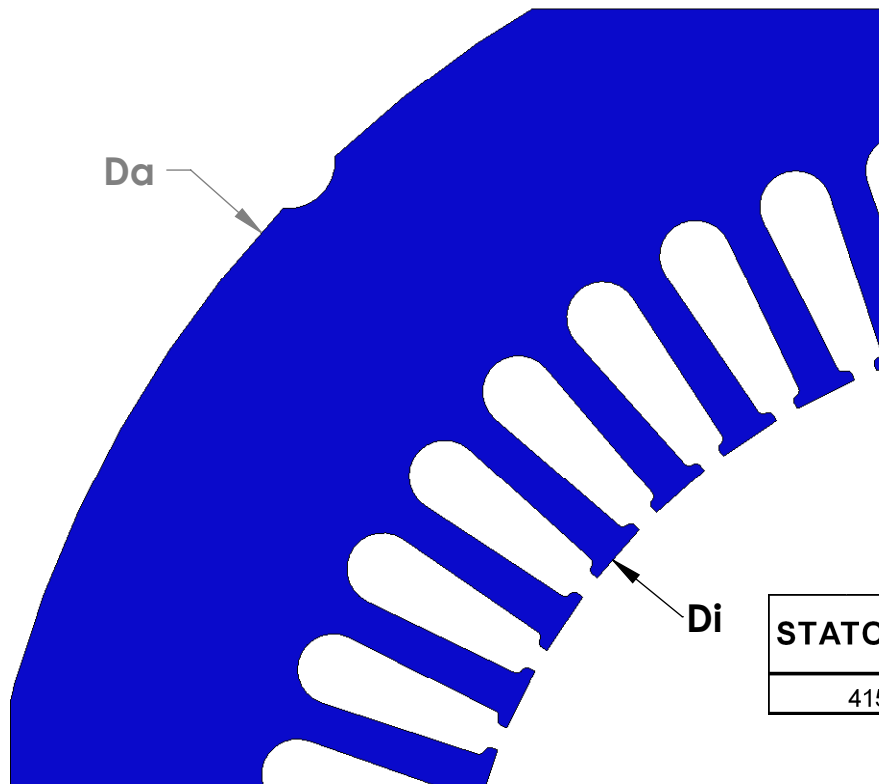




"MADE IN THE USA"



STATOR	SLOT F	CHARACTERISTICS			
		D _a	D _i	N	A
4155T		12.00	8.00	48	0.175



STATOR	SLOT V	CHARACTERISTICS			
		D _a	D _i	N	A
4159G		12.00	7.00	48	0.327

NOTE: CORES ARE WELDED
NOT TO SCALE

MATERIAL: SILICON STEEL
DIMENSIONS: INCHES

REULAND ELECTRIC CO.
INDUSTRY, CA HOWELL, MI CINCINNATI, OH