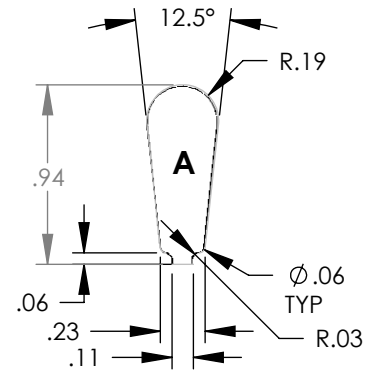
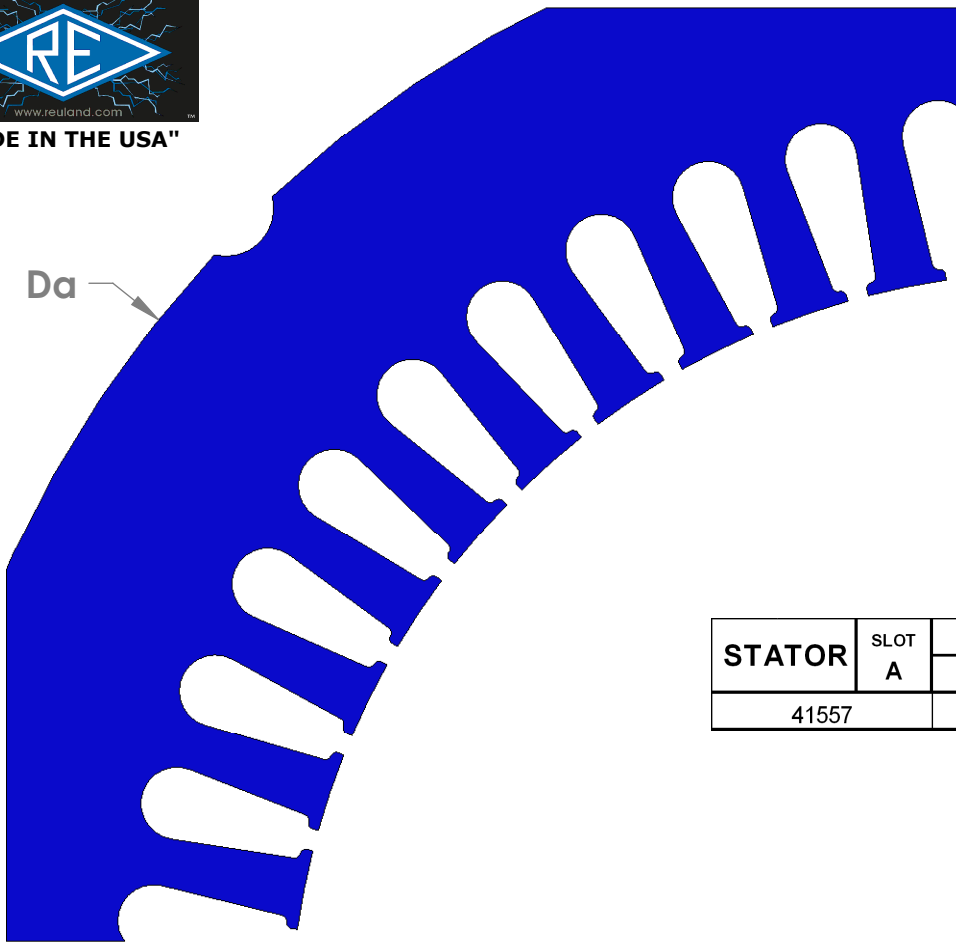
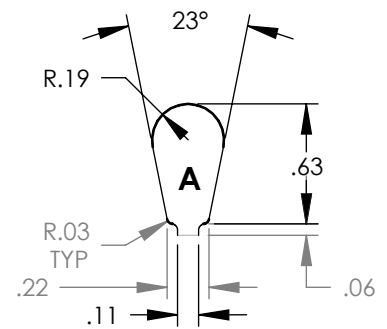
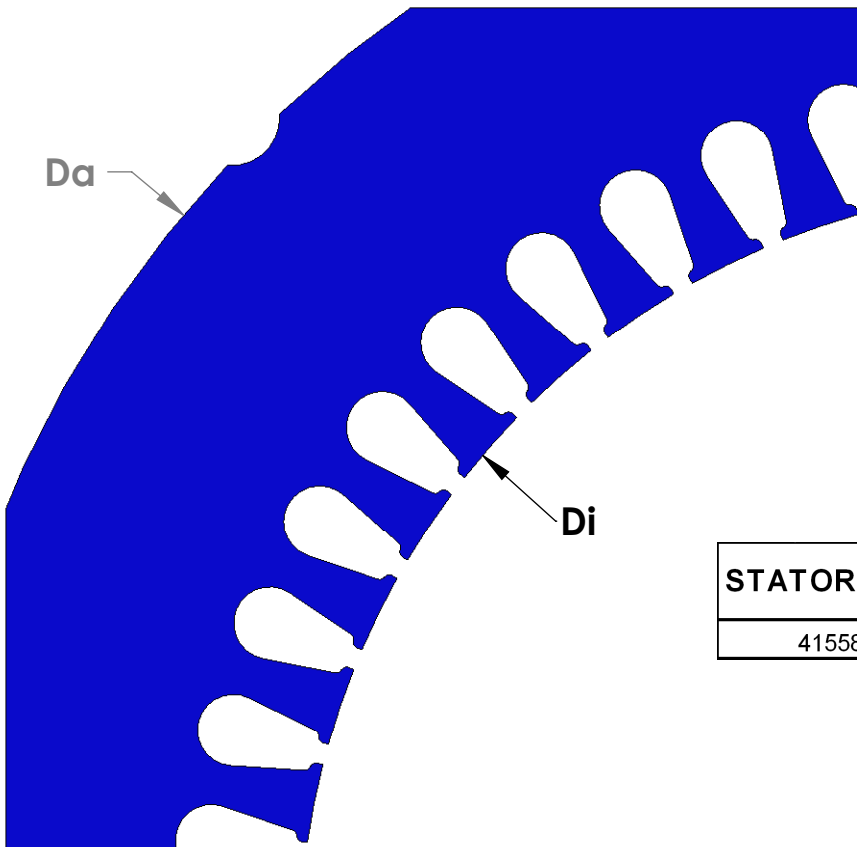




"MADE IN THE USA"



STATOR	SLOT A	CHARACTERISTICS			
		D _a	D _i	N	A
41557		12.00	8.00	48	0.262



STATOR	SLOT B	CHARACTERISTICS			
		D _a	D _i	N	A
41558		12.00	8.00	48	0.183

NOTE: CORES ARE WELDED
NOT TO SCALE

MATERIAL: SILICON STEEL
DIMENSIONS: INCHES

REULAND ELECTRIC CO.
INDUSTRY, CA HOWELL, MI CINCINNATI, OH