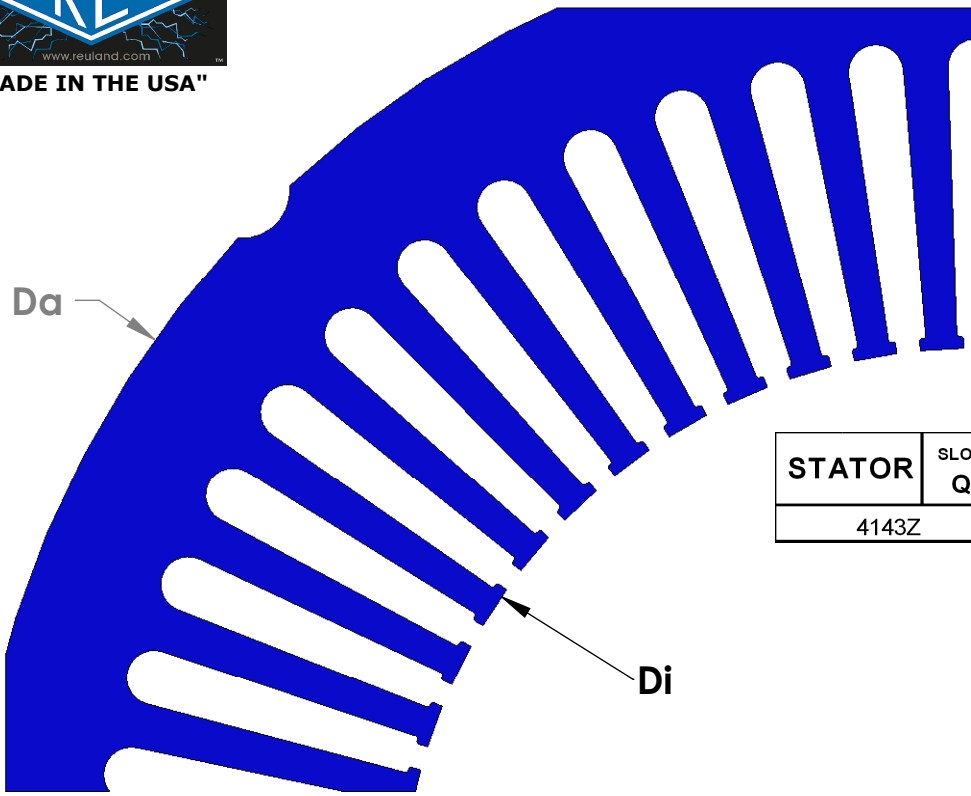
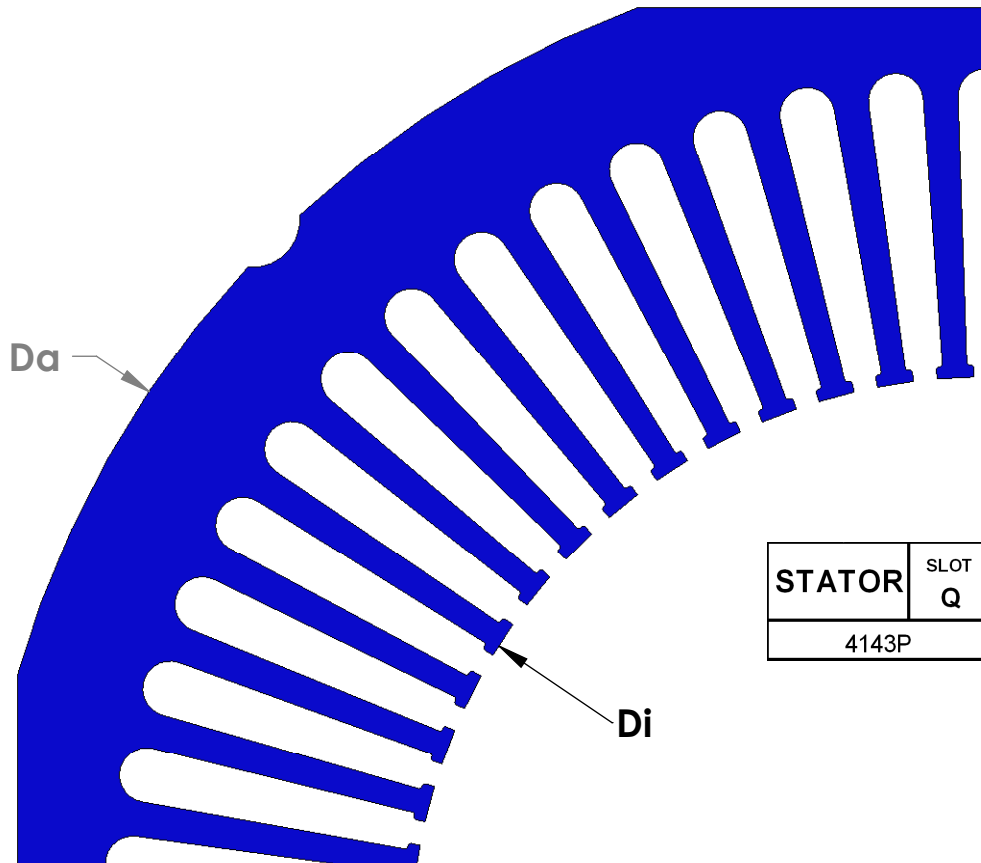
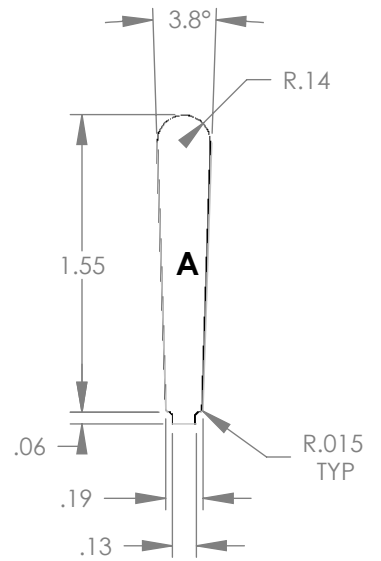




"MADE IN THE USA"



STATOR	SLOT Q	CHARACTERISTICS			
		D _a	D _i	N	A
4143Z		10.50	6.00	54	0.369



STATOR	SLOT Q	CHARACTERISTICS			
		D _a	D _i	N	A
4143P		10.50	6.00	60	0.369

NOTE: CORES ARE WELDED
NOT TO SCALE

MATERIAL: SILICON STEEL
DIMENSIONS: INCHES

REULAND ELECTRIC CO.
INDUSTRY, CA HOWELL, MI CINCINNATI, OH

www.reuland.com

Copyright © 2010 Reuland Electric Co. All Rights Reserved.