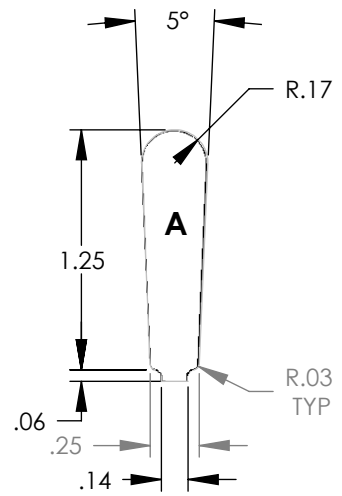
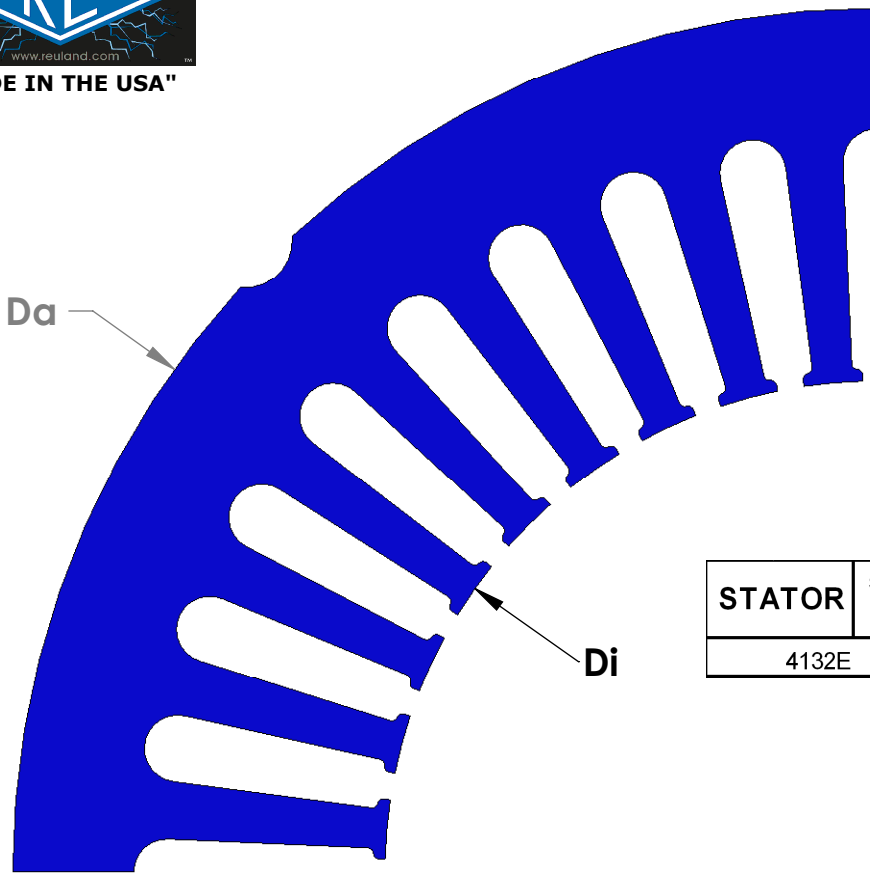
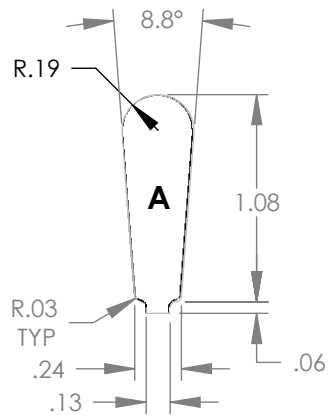
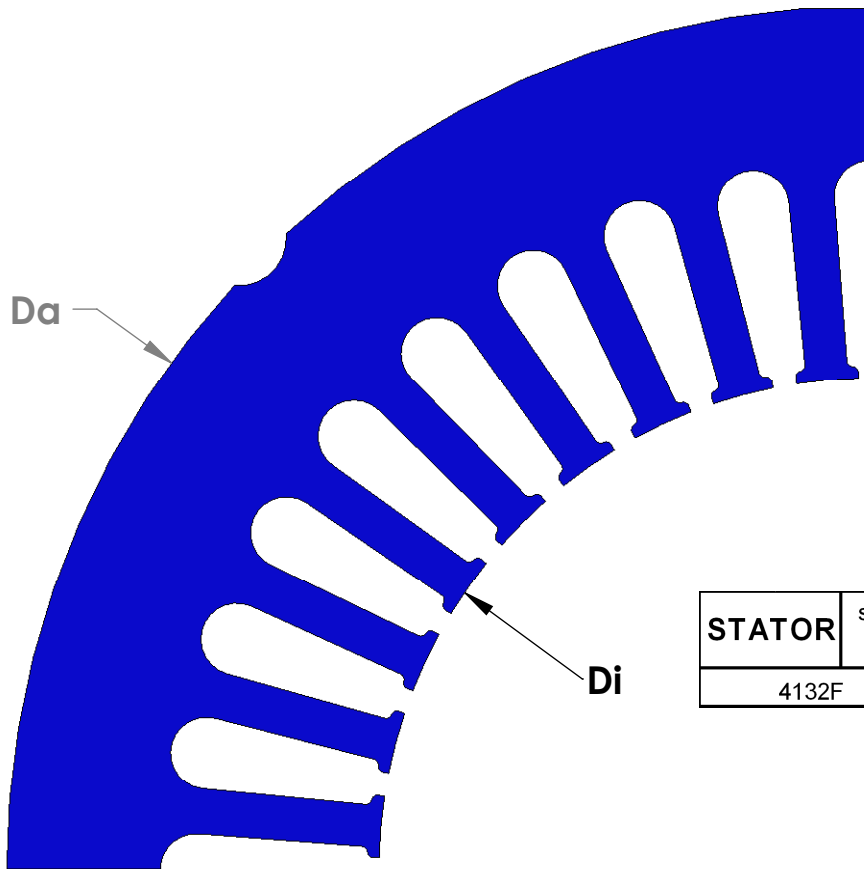




"MADE IN THE USA"



STATOR	SLOT M	CHARACTERISTICS			
		D _a	D _i	N	A
4132E		9.00	5.12	36	0.368



STATOR	SLOT V	CHARACTERISTICS			
		D _a	D _i	N	A
4132F		9.00	5.12	36	0.327

NOTE: CORES ARE WELDED
NOT TO SCALE

MATERIAL: SILICON STEEL
DIMENSIONS: INCHES

REULAND ELECTRIC CO.
INDUSTRY, CA HOWELL, MI CINCINNATI, OH