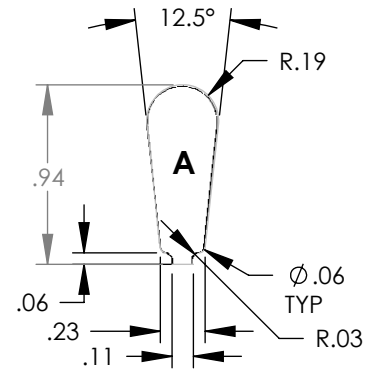
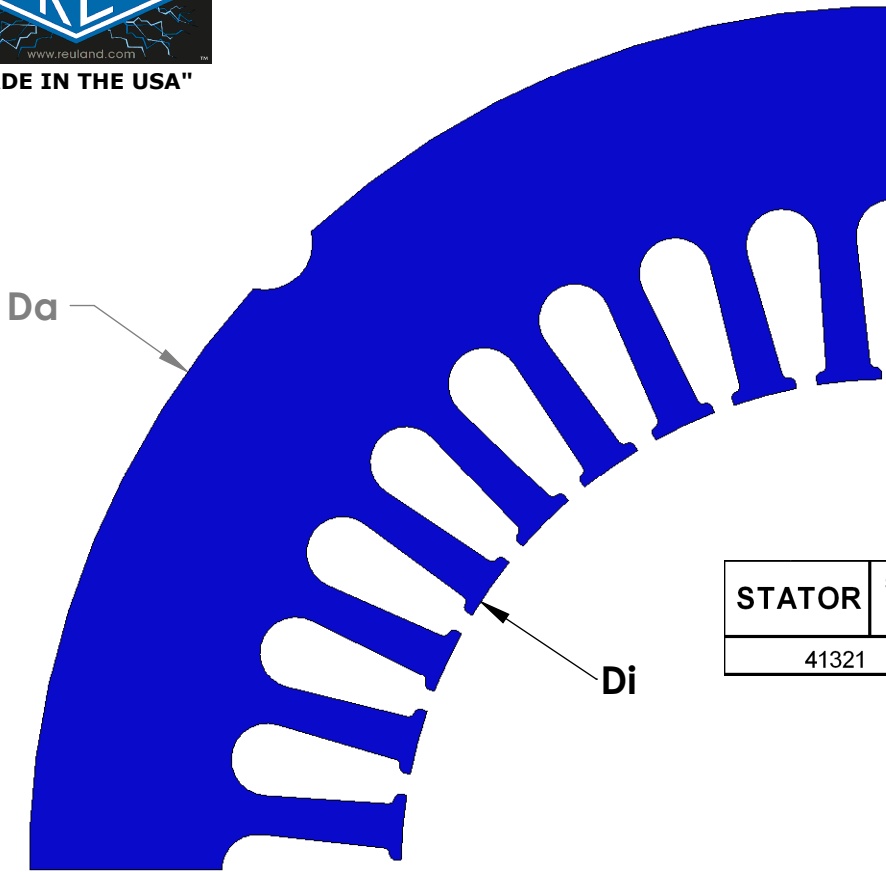
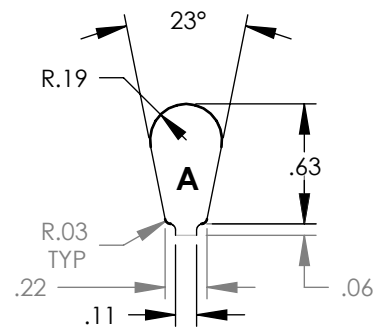
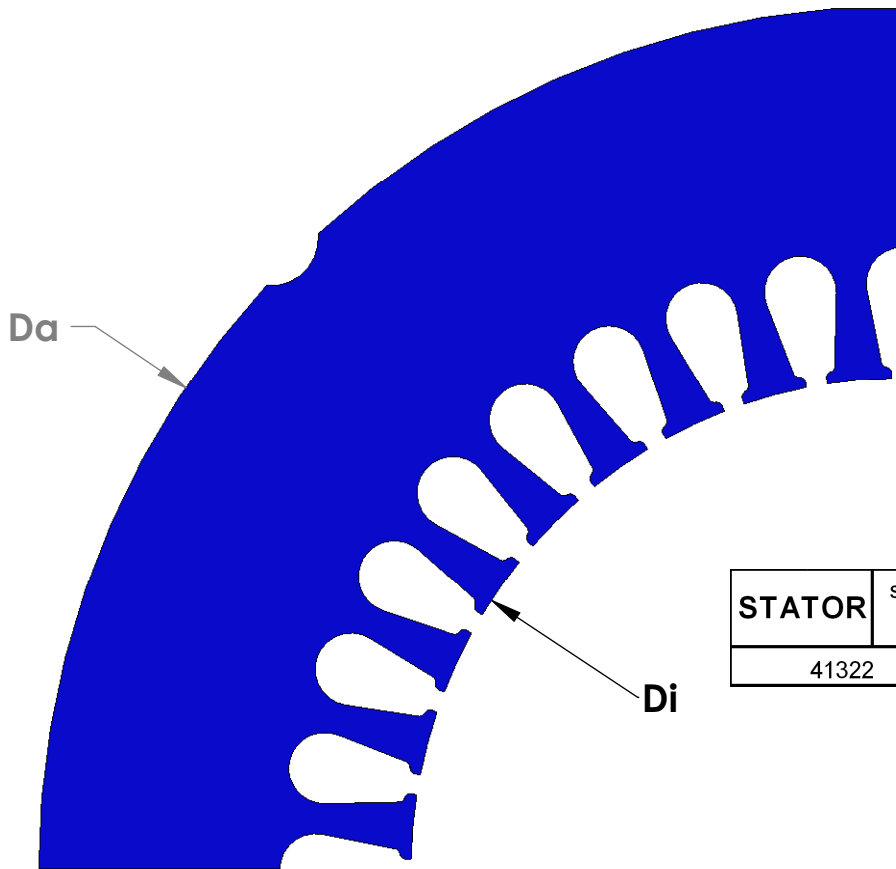




"MADE IN THE USA"



| STATOR | SLOT<br>A | CHARACTERISTICS |                |    |       |
|--------|-----------|-----------------|----------------|----|-------|
|        |           | D <sub>a</sub>  | D <sub>i</sub> | N  | A     |
| 41321  |           | 9.00            | 5.12           | 36 | 0.262 |



| STATOR | SLOT<br>B | CHARACTERISTICS |                |    |       |
|--------|-----------|-----------------|----------------|----|-------|
|        |           | D <sub>a</sub>  | D <sub>i</sub> | N  | A     |
| 41322  |           | 9.00            | 5.12           | 36 | 0.183 |

NOTE: CORES ARE WELDED  
NOT TO SCALE

MATERIAL: SILICON STEEL  
DIMENSIONS: INCHES

**REULAND ELECTRIC CO.**  
INDUSTRY, CA HOWELL, MI CINCINNATI, OH