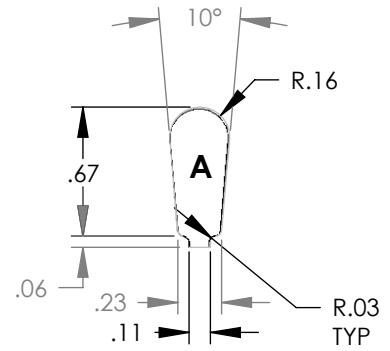
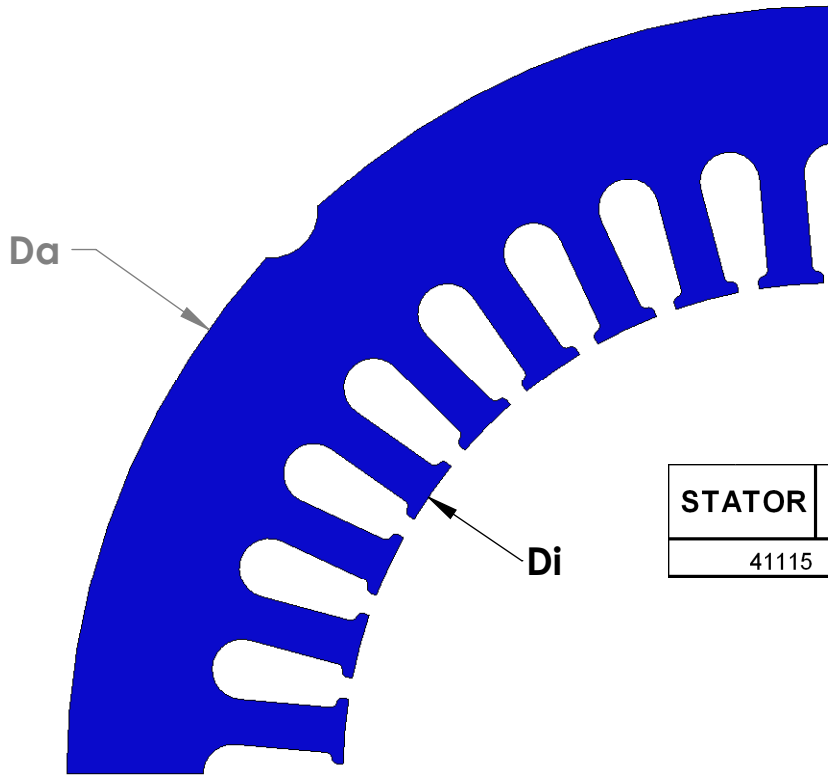
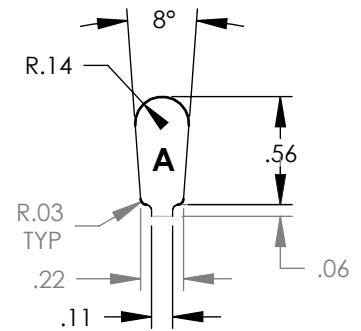
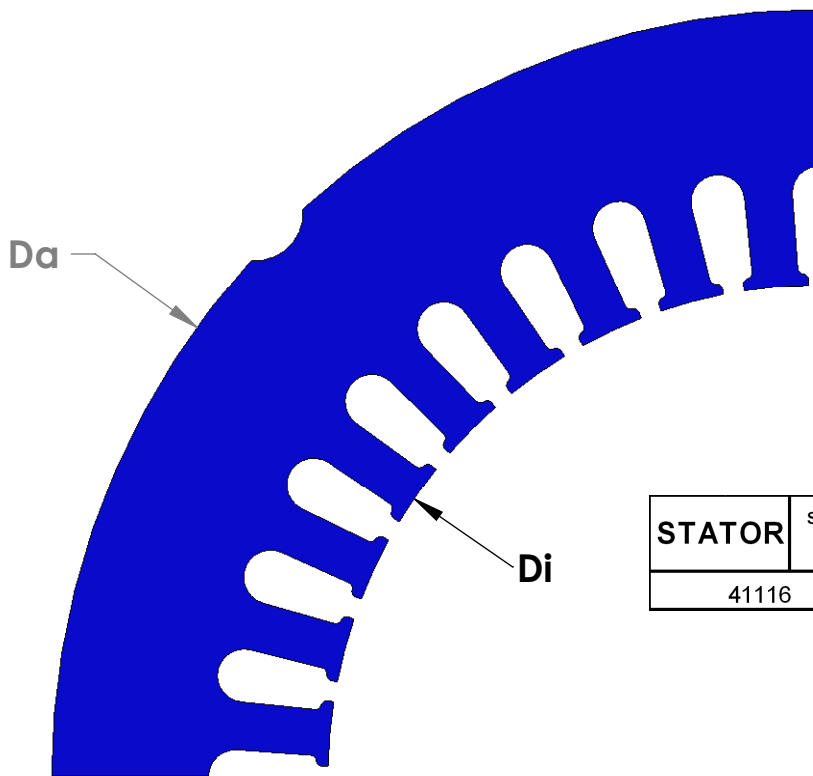




"MADE IN THE USA"



STATOR	SLOT F	CHARACTERISTICS			
		D _a	D _i	N	A
41115		6.31	3.88	36	0.175



STATOR	SLOT G	CHARACTERISTICS			
		D _a	D _i	N	A
41116		6.31	3.88	36	0.135

NOTE: CORES ARE WELDED
NOT TO SCALE

MATERIAL: SILICON STEEL
DIMENSIONS: INCHES

REULAND ELECTRIC CO.
INDUSTRY, CA HOWELL, MI CINCINNATI, OH